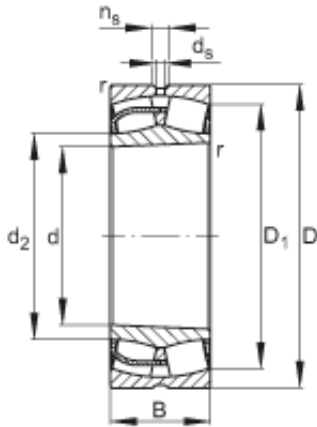




# PRECISION BEARING CORP.



## 190 mm x 290 mm x 100 mm FAG 24038-E1-K30 Spherical Roller Bearings

Bearing No. 24038-E1-K30

24038-E1-K30 Bearing 2D drawings and 3D CAD models

Size	190x290x100 mm
Bore Diameter	190 mm
Outer Diameter	290 mm
Width	100 mm
d	190 mm
D	290 mm
B	100 mm
D <sub>1</sub>	255 mm
D <sub>a max</sub>	279,8 mm
d <sub>2</sub>	211,9 mm
d <sub>a min</sub>	200,2 mm
d <sub>s</sub>	4,8 mm
n <sub>s</sub>	9,5 mm
r <sub>a max</sub>	2,1 mm
r <sub>min</sub>	2,1 mm
m	22,8 kg / Weight
C <sub>r</sub>	1160000 N / Dynamic load rating (radial)
e	0,31
Y <sub>1</sub>	2,2
Y <sub>2</sub>	3,27
C <sub>0r</sub>	1860000 N / Static load rating (radial)
Y <sub>0</sub>	2,15



## PRECISION BEARING CORP.

$n_G$	2140 1/min / Limiting speed
$n_B$	1350 1/min
$C_{ur}$	123000 N / Fatigue limit load, radial