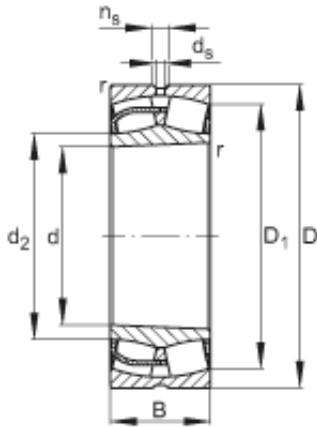




# PRECISION BEARING CORP.



## 180 mm x 280 mm x 100 mm FAG 24036-E1-K30 Spherical Roller Bearings

Bearing No. 24036-E1-K30

24036-E1-K30 Bearing 2D drawings and 3D CAD models

Size	180x280x100 mm
Bore Diameter	180 mm
Outer Diameter	280 mm
Width	100 mm
d	180 mm
D	280 mm
B	100 mm
D <sub>1</sub>	244,6 mm
D <sub>a max</sub>	269,8 mm
d <sub>2</sub>	201,7 mm
d <sub>a min</sub>	190,2 mm
d <sub>s</sub>	4,8 mm
n <sub>s</sub>	9,5 mm
r <sub>a max</sub>	2,1 mm
r <sub>min</sub>	2,1 mm
m	21,8 kg / Weight
C <sub>r</sub>	1130000 N / Dynamic load rating (radial)
e	0,32
Y <sub>1</sub>	2,1
Y <sub>2</sub>	3,13
C <sub>0r</sub>	1770000 N / Static load rating (radial)
Y <sub>0</sub>	2,06



## PRECISION BEARING CORP.

$n_G$	2200 1/min / Limiting speed
$n_B$	1430 1/min
$C_{ur}$	180000 N / Fatigue limit load, radial